



# Maestro

## Product Description

The Maestro is a powered roof mounted axial fan ventilator that can be powered directly for continuous extraction of moist air or can be connected to the supplied thermostat. The Thermostat can be located either within the room or placed in the roof space allowing the unit to automatically respond to either the roof space or room temperature.

## Applications

For extraction of hot / humid / polluted air in residential buildings. Suitable for roof spaces that bathroom fans exhaust directly into. Can be wired to work simultaneously with other devices. Can be installed on a variety of roofs including both metal and tiled. Suitable for use with galvanised and zincalume cladding material.

## Benefits

Removes warm / stale air and moisture from the roof space. Thermostat control of the ventilator in heat control applications conserves energy by running only when required.

## Specification

“The roof ventilator shall be Maestro axial powered roof ventilator. It shall consist of a parallel roof-mounted ventilator with a 5-60°C adjustable thermostat. Each ventilator shall provide a minimum flow rate of 430m<sup>3</sup>/hr and maximum running power consumption of 14.5W”.

## SKU Table

Colour	Maestro
Mill	61340
Brown	61341
Surfmist	61342
Night Sky	61343
Headland	61344
Manor Red	61345
Pale Eucalypt	61346
Cottage Green	61347
Woodland Grey	61348
Paperbark	61349
Dune	61350
Shale Grey	61351
Clay Pot	61352
Deep Ocean	61353
Jasper	61354
Bushland	61355
Iron Stone	61356
Monument	105724

## Ventilator Specifications

Power Supply Input	100-240 VAC ~50-60Hz, 0.45A Max	
Power Supply Output	12VDC, 1500mA	
Max. Running Power Consumption	14.5W	
Flow Rate (@ $\Delta p=0$ )	430 m <sup>3</sup> /hr	119 l/s
Specific Flow Rate (@ $\Delta p=0$ )	36 m <sup>3</sup> /hr/W	10 l/s/W
Sound Pressure Level L <sub>A</sub> (@ 3m & $\Delta p=0$ )	63 dB(A)	
Weight - Ventilator Only	3.2 kg	
Dome and Throat	Aluminium 1200	
Flashing	Aluminium 3003 - 500x500mm	
Dome Bracket	Galvanised Steel	
Bearings	2 single-row ball bearings	
Mesh	Plastic (PP)	
Motor	12VDC Electronic Commutating (EC) Brushless Motor	
Fan	Aluminium Ø254mm 5 Blade Axial	
Wind Speed Rating (Wind Loading)	57m/s (205.2 km/h) - Level 1 AS4740:2000	
Compatible Roof Pitch	3° to 35°	
Cable Length	6m	
Warranty	5 years (powerpack 1 year)	

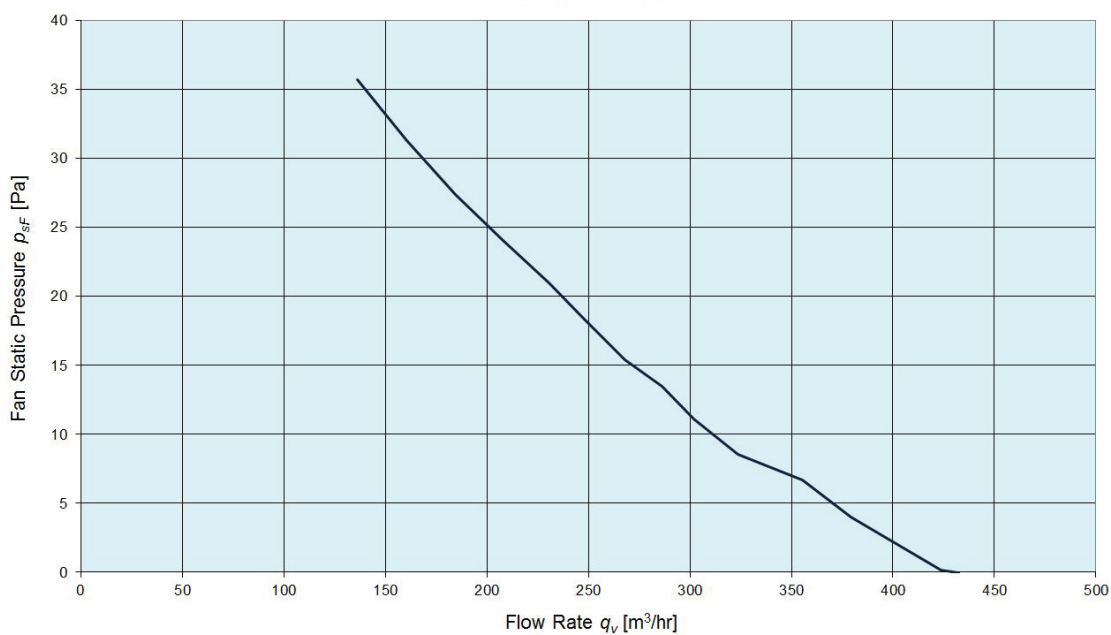
## Thermostat

Temperature Range	5° to 60°
Operating Voltage	12VDC
Protection Class	IP30

## Performance

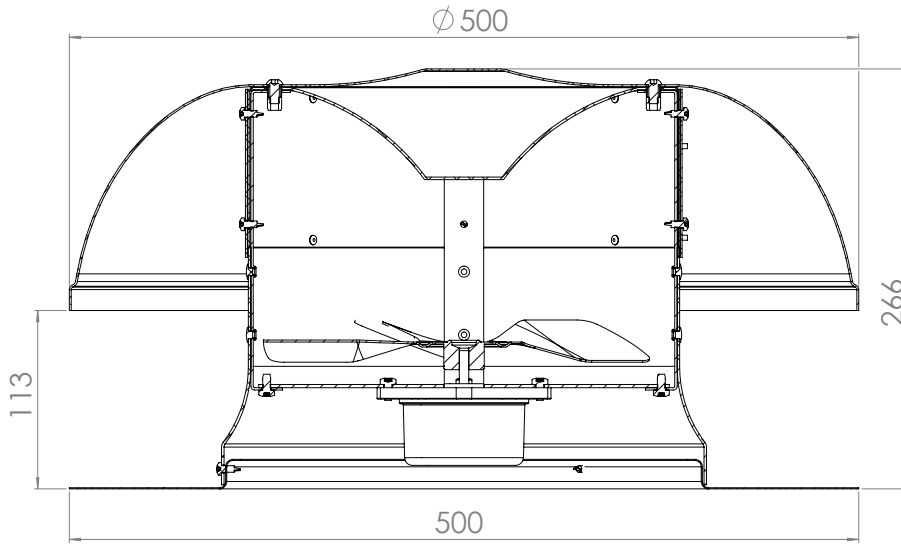
Chart Area

Characteristic Curve



# Maestro

## Drawing

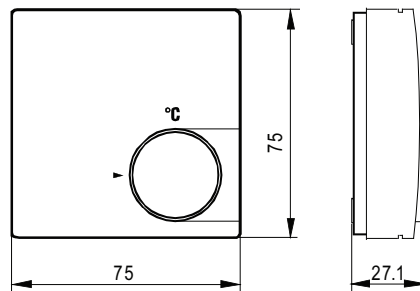


\* A Cutout of  $\varnothing 300\text{mm}$  is required to provide an unobstructed airflow path for the Maestro

## Thermostat

### Description

The 12VDC thermostat is an adjustable temperature controller to switch 12VDC products on when the set point temperature is exceeded by the ambient conditions. Dimensions 75 x 75 x 27.1 mm



## Electrical Connections

